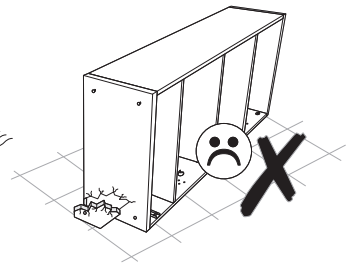
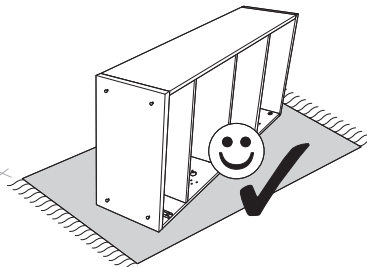
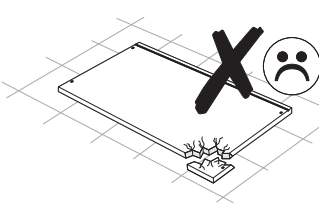
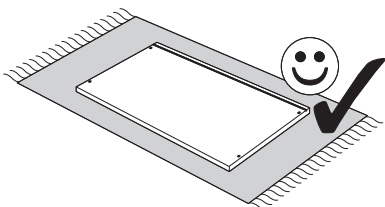
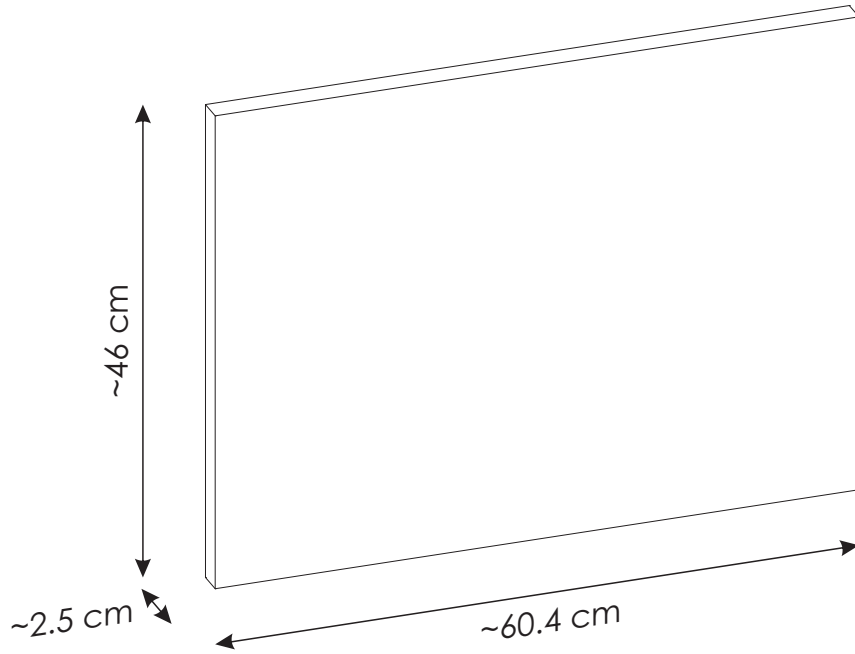
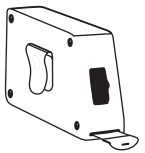
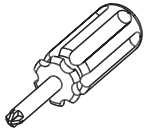
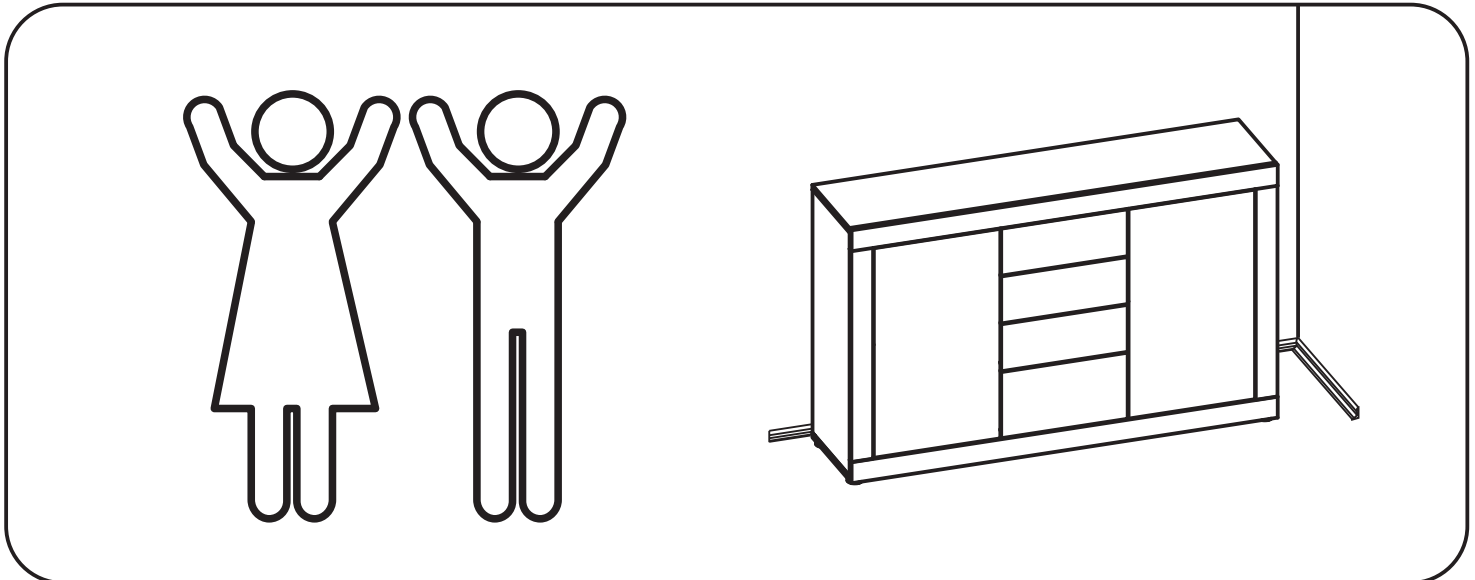
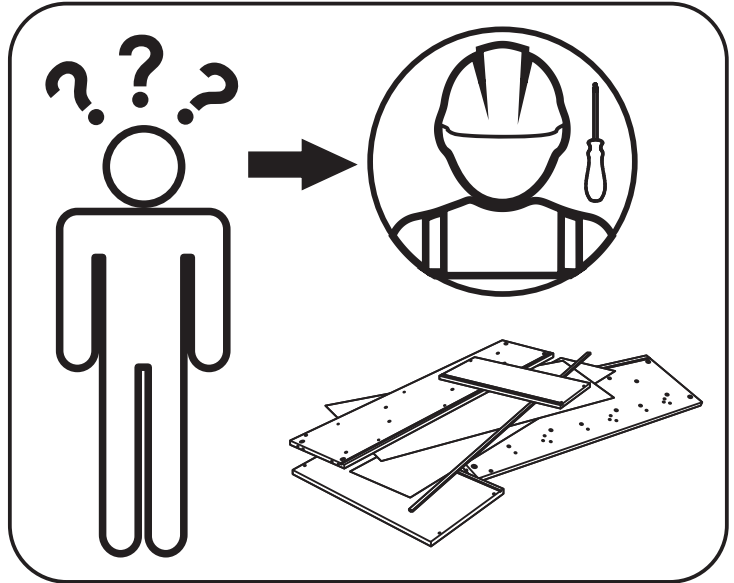
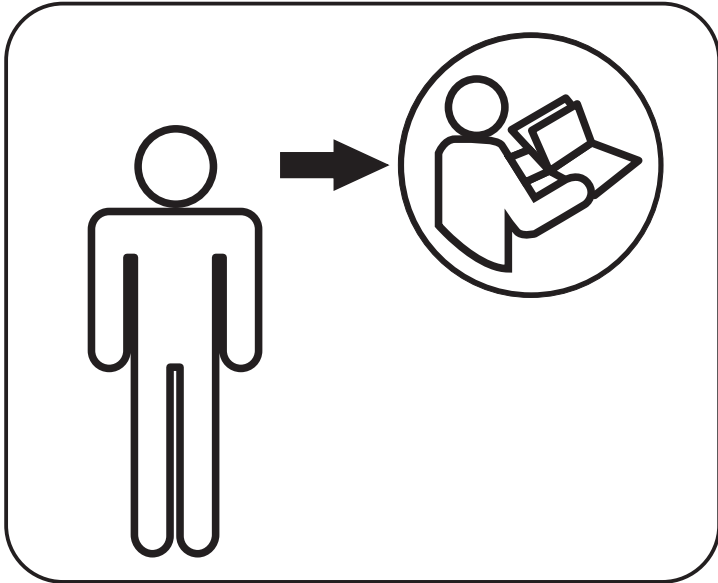
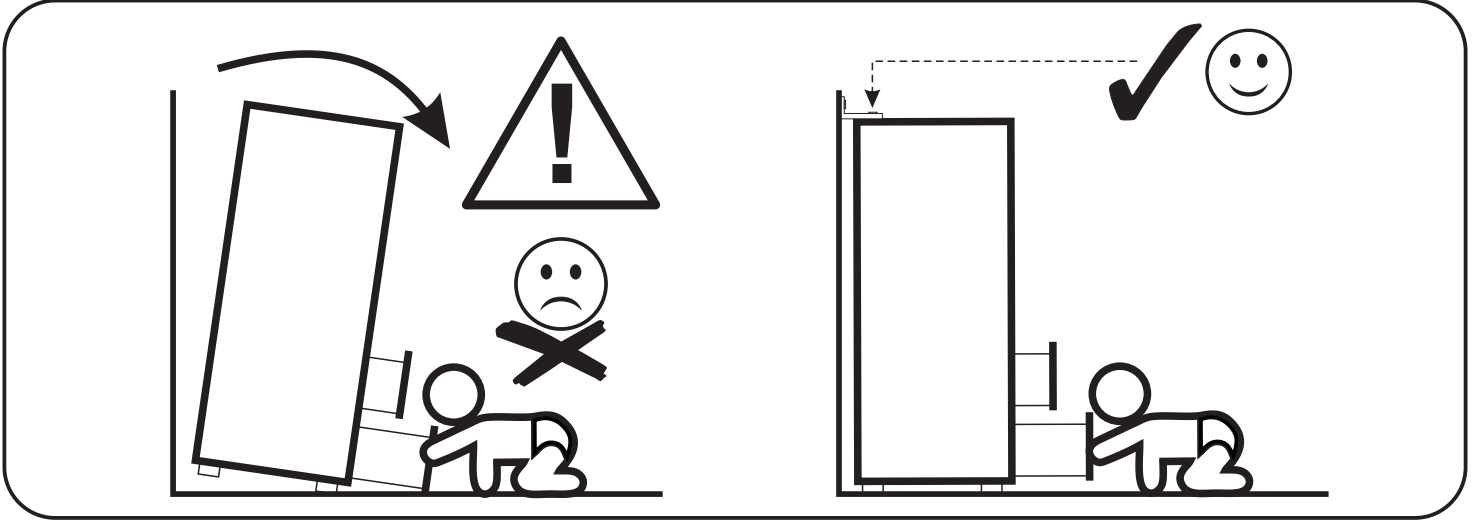
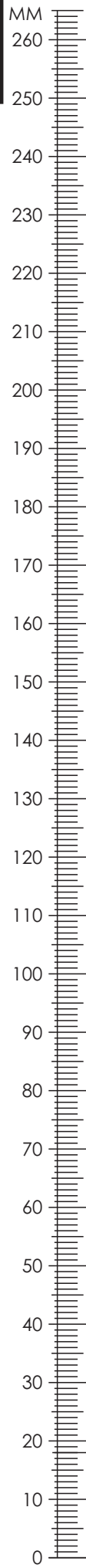



SANTA FE 89-60

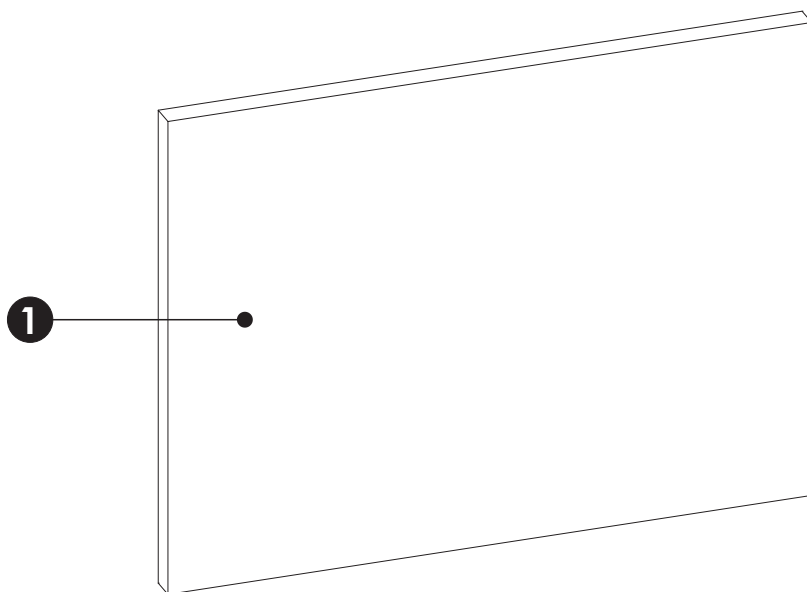




SANTA FE 89-60



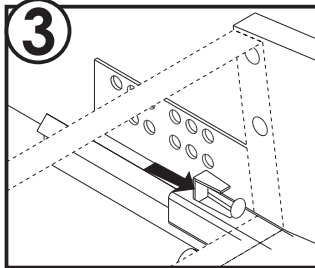
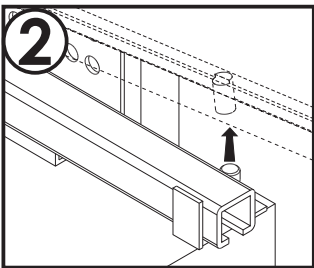
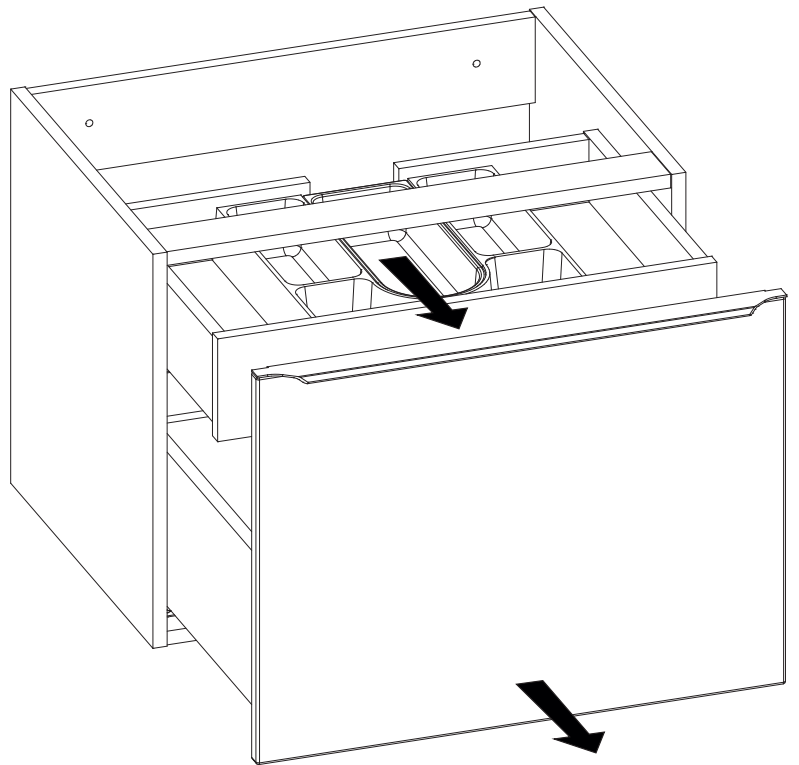
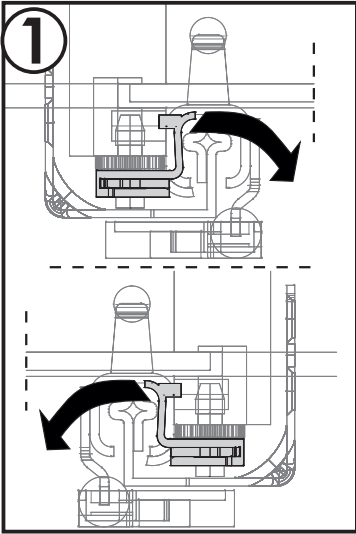
N5	3,5 x 16 mm	x12	Q8		x6
-----------	-------------	-----	-----------	---	----



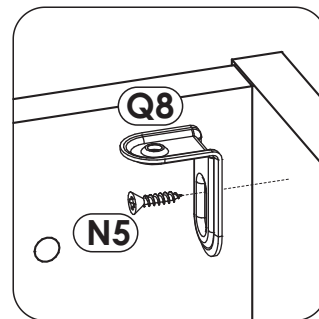
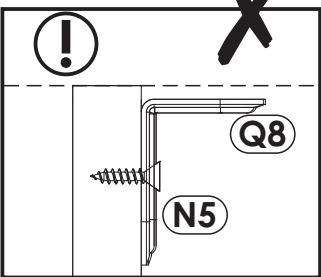
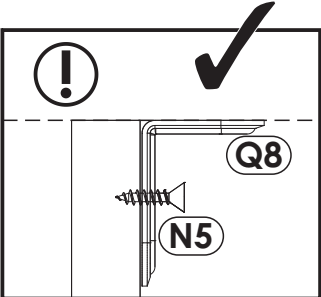
1	604	460	25	x1	1/1
----------	-----	-----	----	----	-----



1 ▶



2 ▶



x6

